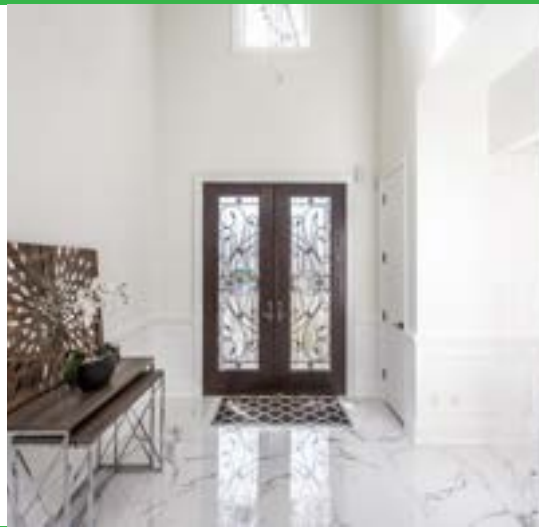




WINDOWS • ENTRY DOORS • PATIO DOORS



THE COURAGE TO INNOVATE

www.weatherseal.ca

Contents

Company Profile.....3-5

Thermal Glass Solutions.....6-7

Casement Window *Quad Series*.....8-9

Fixed Window *Quad Series*.....10-11

Picture Window *Quad Series*.....12-13

Awning Window *Quad Series*.....14-15

Casement Window *Legacy Series*.....16-17

Fixed Window *Legacy Series*.....18-19

Picture Window *Legacy Series*.....20-21

Awning Window *Legacy Series*.....22-23

Single Slider Window.....24-25

End Vent Slider Window.....26-27

Double Slider Window.....28-29

Single Hung Window.....30-31

Double Hung Window.....32-33

Lift Out Slider Window.....34-35

Hopper Window.....36-37

Bay Window.....38

Bow Window.....39

Exterior Options.....40

Interior Options.....41

Window Grills.....42

Color Options.....43

Garden Patio Doors.....44

Sliding Patio Doors.....45

Steel Entrance Doors.....46

Premium Fiberglass Entry Doors.....47



Company Profile

Our mission at Weather Seal is to provide you with the most energy-efficient products available on the market, ensuring long-term savings on your energy costs. Weather Seal has gained recognition across North America for its exceptional design and unparalleled quality. With cutting-edge technology, we manufacture windows and doors that not only meet but exceed the strict requirements set by CSA, NFRC, and ENERGY STAR for all climate zones. Our team of dedicated professionals is continuously exploring new technologies to make Weather Seal windows and doors more energy efficient and environmentally friendly.



At Weather Seal, we firmly believe in the concept of replacing windows and doors only once. To achieve this, it is crucial to choose products that are meticulously designed, listed, and built to perform flawlessly and withstand the test of time. Due to our state-of-the-art automated window manufacturing capabilities, we deliver products that are in great demand with respected builders, architects, and renovators. Additionally, our extensive range of products, complemented by a wide selection of accessories and customizable options, further enhances the appeal of our offerings. By selecting Weather Seal products, you are not only making a wise investment but also contributing positively to the environment by supporting a company dedicated to environmental responsibility and sustainability.



European Engineering

Since 1992, Weather Seal has established itself as a leading manufacturer of vinyl windows and doors, renowned for our commitment to design, excellence, precision, craftsmanship, and state-of-the-art technology. By combining these factors, we proudly offer you the finest European-designed vinyl windows and doors available in North America. Custom home builders, architects, and remodelers appreciate the versatility of our extensive product range, diverse accessory options, and customizable choices. Our profound understanding and comprehensive knowledge of the window industry empower us to deliver industry-leading products that meet and exceed expectations.



Complex Extrusions

At Weather Seal, we design all our vinyl window profiles exclusively in-house. Our sophisticated extrusions provide solutions for a wide range of requirements and functional demands. We prioritize quality from the outset, incorporating unique European-designed structural components into our manufacturing process. As an end result, Weather Seal stands behind our products with the best warranty in the business for windows and doors.



Advanced Software System

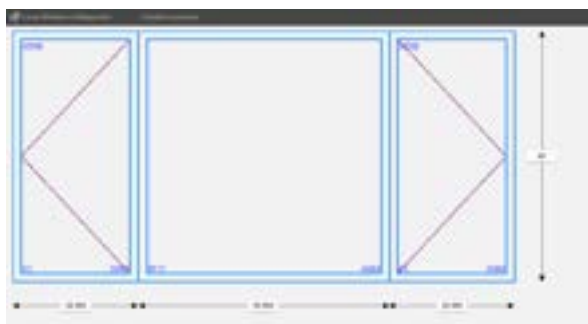
Our advanced software system, known as "Leap," acts as a seamless web that interconnects various stages of the business, providing a streamlined and efficient experience from quoting, ordering, manufacturing, to shipping and delivery.

Custom

Exterior Color: White
Interior Color: White
RM Color:
Exterior Options: None
Interior Options: None
Custom Jamb Set: 0
Coating: None
Escutche: None
Handle: Inset Handle
Tilt Opt:
Screen Color: White
Lock: Multi-point Lock

Window Size (WxH): 100 x 40
Backsill Size (WxH): No Backsill
SQFT: 41.67' LQFT: 24.67'
Tilt Type: None
Tilt Overall Size (WxH):
Custom Ex. Coating (WxH):
Tilt Log ID:
Room Location:

Panel #	Frame Type	GL	Window			Size (WxH): 21 x 40		
	Glass Inset	Glass Middle	Glass Outer	Slips	Pattern	Grid Shape	Grid Color	Grid Type
	(WxH) (Low)	(WxH) (Low)	(WxH) (Low)	(Low)				
U-Factor(M)	Solar Heat Gain	Energy Rating	Energy Star	EH Most Efficient	NRCas Reference			
0.34	0.34	42	Y	+	367761-36244021405			
Panel #	Frame Type	FLN	Window			Size (WxH): 49.68 x 40		
	Glass Inset	Glass Middle	Glass Outer	Slips	Pattern	Grid Shape	Grid Color	Grid Type
	(WxH) (Low)	(WxH) (Low)	(WxH) (Low)					
U-Factor(M)	Solar Heat Gain	Energy Rating	Energy Star	EH Most Efficient	NRCas Reference			
0.33	0.34	44	Y	+	WAITING FOR OPTION #			
Panel #	Frame Type	GL	Window			Size (WxH): 21 x 40		
	Glass Inset	Glass Middle	Glass Outer	Slips	Pattern	Grid Shape	Grid Color	Grid Type
	(WxH) (Low)	(WxH) (Low)	(WxH) (Low)	(Low)				
U-Factor(M)	Solar Heat Gain	Energy Rating	Energy Star	EH Most Efficient	NRCas Reference			
0.34	0.34	42	Y	+	367761-36244021405			



Thermal Insulated Glass Units

Weather Seal's Insulated Glass Units (IGUs) enhance the thermal performance of glazing by incorporating several key features. These include a high-performance super spacer, Low-E enhanced glass panels, and a sealed air space filled with Argon Gas. By combining these properties, our IGUs are able to fulfill two distinct requirements: keeping your home comfortable during the summer and winter months. With our state-of-the-art automated glass manufacturing production line, we are committed to delivering sealed units of the highest quality, offering benefits such as reduced heat transfer for savings on heating and cooling expenses, increased personal comfort and energy conservation, reduced sound transmission, and enhanced strength to withstand wind loads.



Automated Fabrication, Welding and Cleaning

At Weather Seal, we prioritize technological advancement, quality, and precision in all our products. Through complete automation and cutting-edge technology, we have developed a highly precise manufacturing process that not only meets demanding performance standards but also surpasses the requirements set by CSA, NFRC, and ENERGY STAR for all climate zones. Our automatic production, complemented by sophisticated software, ensures accurate cutting and fabrication of frames, sashes, and accessories.



Thermal Glass Solutions

LOW-E Glass

Argon Gas

Spacer Technology

Neat Glass

When purchasing new windows and doors for your house, it's crucial to consider various factors, including architectural styles, interior and exterior options, and most importantly, energy performance. At Weather Seal, we offer Energy Star certified windows that prioritize energy savings and maximize your comfort.

Our Energy Star certified windows feature Weather Seal's advanced Low-E glass coating, which ensures year-round comfort in your home, regardless of extreme temperatures. During the winter months, the Low-E glass reflects heat back into the room, keeping it warm and cozy. In the summer, it effectively reflects the sun's heat and harmful solar rays, preventing them from entering your home. Not only does our Low-E glass provide exceptional performance, but it also offers the clearest and highest level of clarity, free from any haze or blurry tint.

The insulating effect of your windows plays a significant role in maintaining comfortable room temperatures during cold weather. Since approximately 85% of a window's exposed surface is glass, the temperature on the room-side of the glass directly influences the air temperature inside. By choosing our well-insulated window glass, you can ensure a warmer and more comfortable room environment.

When considering new windows and doors, trust Weather Seal's Energy Star certified options to provide exceptional energy performance and year-round comfort for your home.



Weather Seal
Windows & Doors Inc.

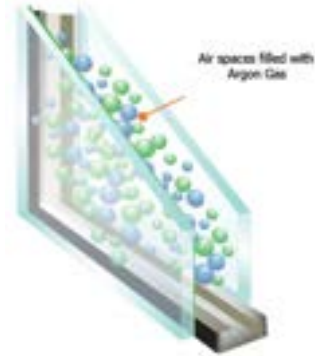
Low-E glass

Low-E glass is a specially coated glass that offers high visible light transmission and low emissivity (reduced energy transfer). During summer, it allows visible sunlight to enter while blocking the sun's infrared heat energy. In winter, it selectively filters out the sun's harmful ultraviolet rays, providing protection against hardwood floors, furniture, fabric as well as carpet fading.



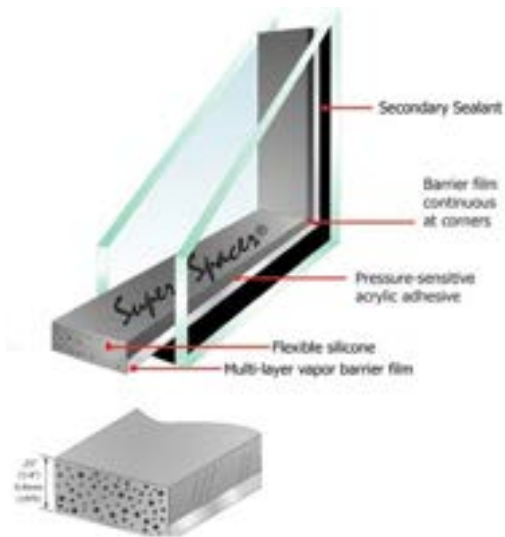
Argon gas

Argon gas is a colorless, odorless, non-toxic, non-corrosive, and non-flammable natural gas. It has a thermal conductivity 30% lower than that of air. When combined with Low-E coating, it provides a 51% improvement in U-Values and a 104% improvement in R-values compared to typical air-filled insulated glass (without Low-E glass).



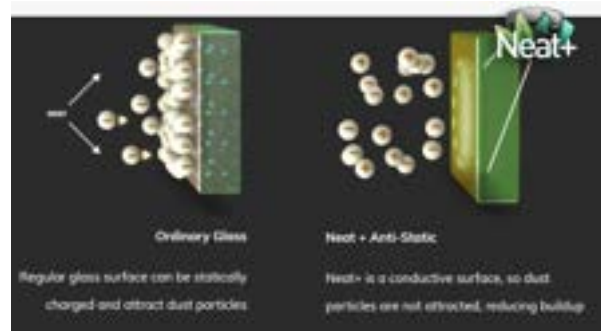
Spacer technology

Weather Seal's SuperSpacer Premium Plus technology meets high structural standards while maintaining low heat conductance along the seal's edge. This improves the overall U-Value and reduces the potential for condensation. The secondary seal consists of a compressed hot melt seal, and desiccants are enclosed within the spacer to evaporate moisture. The spacer's continuous corners ensure gas and air tightness of the glass units.



Neat Glass®

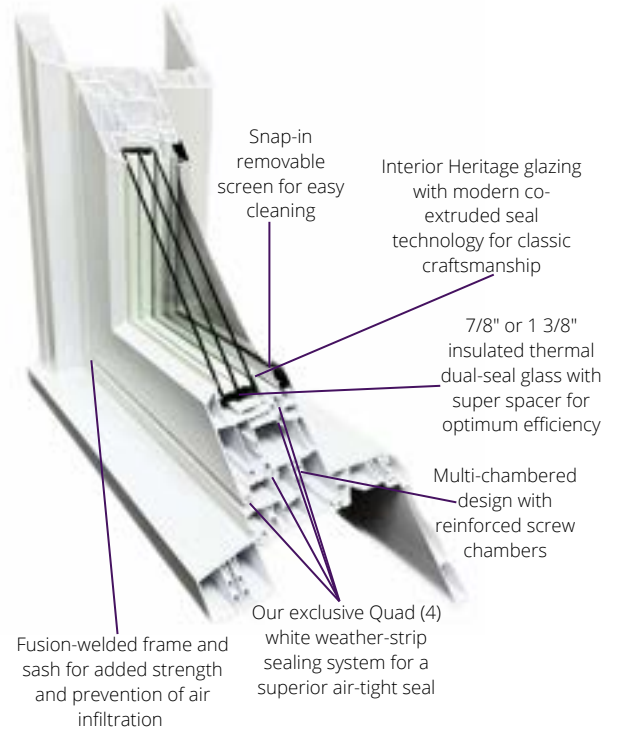
Experience the benefits of nature with Weather Seal's Neat® naturally clean glass. It utilizes the sun's UV rays to loosen dirt, allowing water to rinse it away and leaving windows virtually spotless. With Neat® glass, your windows will stay cleaner for longer and cleaning them becomes easier. This feature will definitely be appreciated by homeowners. Moreover, Neat® is applied to Cardinal's Low-E coated glazing, resulting in homes that stay cooler in the summer and warmer in the winter, making the Neat® glass the optimal choice for your windows.



Quad-Seal Collection Casement Window

Casement windows offer an unobstructed view from any angle. With an impressive 93° opening, cleaning our casement windows is effortless. Additionally, this design facilitates the direct flow of fresh air into your home.

Our windows feature the innovative Patented Quad-Seal System®, ensuring an unparalleled level of sealing. Combined with the multi-point locking system and the multi-chambered design, our windows provide an exceptional seal that will exceed your expectations.



Standard Glass
DOUBLE INSULATED GLASS
Overall Thickness 7/8"

Optional Glass
TRIPLE INSULATED GLASS
Overall Thickness 1 3/8"



The Quad-Seal Advantage

Weather Seal's Patented Quad-Seal System® is a combination of four weather-strippings that provide the tightest seal, ensuring maximum energy efficiency inside your home.

Window features

- 3 ¼" vinyl frame and sash, which have fusion welded and shadow-grooved corners for a modern appearance and a clean look.
- Interior multi-chamber design which not only insulates but also strengthens the frame.
- Precisely engineered internal frame screw chambers are intended for facilitating an optimal and accurate installation process.
- 3 white rubber seals on the frame together with an additional brush seal on the sash compose our Patented Quad-Seal System®
- Superior winding mechanism allows the window to open effortlessly for an ideal in-home air circulation flow.
- 14" stainless steel hinges allow the sash to pivot to a 93° open position, for an easy clean operation of the insulated glass unit, which now can be performed from the inside of your home.
- E-Gress hinges available upon request, to ensure a larger opening in case of an emergency evacuation of your home.
- Multi-point locking system specifically designed to enhance security and create a tighter seal at multiple points, all conveniently controlled with the activation of a single handle.
- Standard 7/8" dual pane insulated glass unit with premium white super spacer designed to maximize in-home energy efficiency and reduce condensation.
- Optional 1 3/8" triple pane insulated glass unit combined with premium white super spacer for an optimal insulation and noise reduction.
- Interior Glazing system with a contoured profile, for a handcrafted appearance.
- Easily removable, overlapping spring-loaded internal screen.



Operator allows sash to open for easy cleaning



Stainless Steel Multi-Point Locking System



Integrated Snap-Down Nesting Handle



Fusion-Welded Frame and Sash for Added Strength and Prevention of Air Infiltration



TRUTH Hardware Stainless Steel Hinges



Snap-in removable screen for easy cleaning



SIZES AVAILABLE

Width: **16.5" to 34"**
Height: **18" to 72"**



Quad-Seal Collection

Fixed Casement Window

Our fixed casement windows feature a robust structural frame design that accommodates larger openings, resulting in a visually stunning effect. When combined with other window styles, they create a seamless expanse of elegant glass.

With a modern flat exterior design that complements the size and aesthetics of our casement and awning windows, you can enjoy an appealing cohesive appearance and versatile functionality.



Standard Glass
DOUBLE INSULATED GLASS
Overall Thickness 7/8"

Optional Glass
TRIPLE INSULATED GLASS
Overall Thickness 1 3/8"



The Quad-Seal Advantage

Weather Seal's Patented Quad-Seal System® is a combination of four weather-strippings that provide the tightest seal, ensuring maximum energy efficiency inside your home.

Window features

- Designed to match a quad casement unit, as it shares the same appearance.
- 3 ¼" vinyl frame, with fusion welded and shadow-grooved corners for a modern appearance and a clean look.
- Interior multi-chamber design which not only insulates but also strengthens the frame.
- Precisely engineered internal frame screw chambers are intended for facilitating an optimal and accurate installation process.
- Integrated self-drainage system.
- Standard 7/8" dual pane insulated glass unit with premium white super spacer designed to maximize in-home energy efficiency and reduce condensation.
- Optional 1 3/8" triple pane insulated glass unit combined with premium white super spacer for an optimal insulation and noise reduction.
- Interior Glazing system with a contoured profile, for a handcrafted appearance.



Fusion-Welded Frame for Added Strength and Prevention Of Air Infiltration



SIZES AVAILABLE

Width: **16.5" to 80"**
Height: **16.5" to 80"**



Weather Seal
Windows & Doors Inc.

Quad-Seal Collection

Picture Window

A Picture Window, also known as a Slim Fixed Profile, is a non-operable window primarily designed to allow natural light to enter a room. It shares a similar profile with single slider and single hung windows in terms of both interior and exterior appearance. As a result, it is often recommended to be used in conjunction with single hung or single slider windows when required. Additionally, picture windows can also serve as transom fixed units. This type of window is typically used in situations where the primary need is for light or visibility, rather than ventilation.



Standard Glass
DOUBLE INSULATED GLASS
Overall Thickness 7/8"

Optional Glass
TRIPLE INSULATED GLASS
Overall Thickness 7/8"



The Quad-Seal Advantage

Weather Seal's Patented Quad-Seal System® is a combination of four weather-strippings that provide the tightest seal, ensuring maximum energy efficiency inside your home.



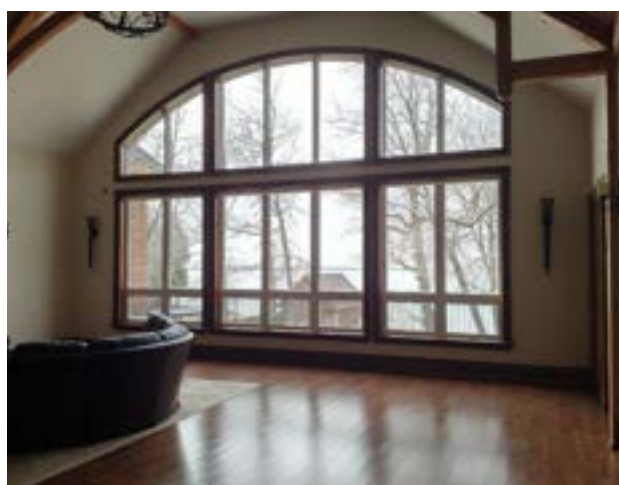
Weather Seal
Windows & Doors Inc.

Window features

- Often also referred to as a slim fix, a picture window, may be combined with any window from the slider family since they share the same appearance. It can also be combined with a casement family in order to allow for a maximum amount of sunlight to enter into your home.
- 3 1/4" vinyl frame, with fusion welded and shadow-grooved corners for a modern appearance and a clean look.
- Interior multi-chamber design which not only insulates but also strengthens the frame.
- Precisely engineered internal frame screw chambers are intended for facilitating an optimal and accurate installation process.
- Integrated self-drainage system.
- Standard 7/8" dual pane insulated glass unit with premium white super spacer designed to maximize in-home energy efficiency and reduce condensation.
- Optional 7/8" triple pane insulated glass unit combined with premium white super spacer for an optimal insulation and noise reduction.
- Interior Glazing system with a flat profile, for a handcrafted appearance.



Fusion-Welded Frame for Added Strength and Prevention Of Air Infiltration



SIZES AVAILABLE

Width: **16.5" to 80"**
Height: **16.5" to 80"**

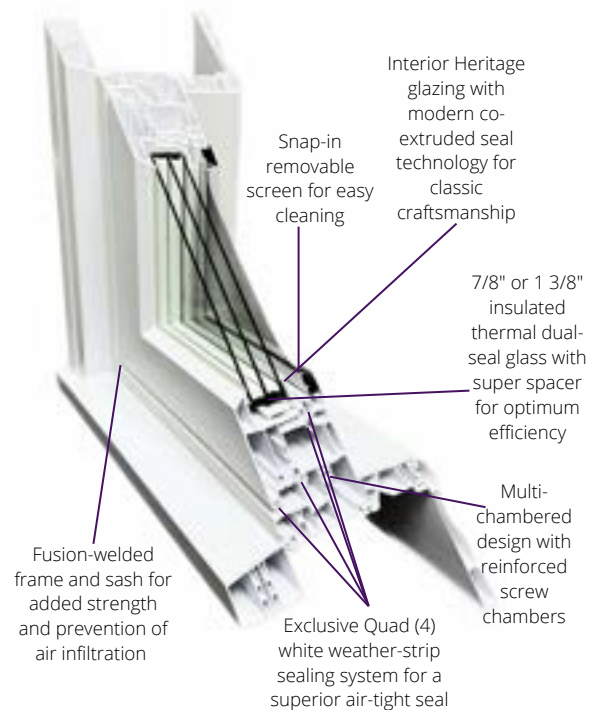


Weather Seal
Windows & Doors Inc.

Quad-Seal Collection

Awning Window

Awning windows open outward from the bottom, facilitating the circulation of fresh air from outside and effectively ventilating your home. Not only do awning windows offer a gorgeous, unobstructed view, but they also provide a distinctive protective barrier against various weather conditions. Our innovative Patented Quad-Seal System®, combined with the reliable multipoint locking system and the carefully engineered multi-chambered design, guarantees an airtight seal of the highest quality.



Standard Glass
DOUBLE INSULATED GLASS
Overall Thickness 7/8"

Optional Glass
TRIPLE INSULATED GLASS
Overall Thickness 1 3/8"



The Quad-Seal Advantage

Weather Seal's Patented Quad-Seal System® is a combination of four weather-strippings that provide the tightest seal, ensuring maximum energy efficiency inside your home.

Window features

- 3 ¼" vinyl frame and sash, which have fusion welded and shadow-grooved corners for a modern appearance.
- Interior multi-chamber design which not only insulates but also strengthens the frame.
- Precisely engineered internal frame screw chambers are intended for facilitating an optimal and accurate installation process.
- 3 white rubber seals on the frame together with an additional brush seal on the sash compose our Patented Quad-Seal System®
- Superior winding mechanism allows the window to open effortlessly for an ideal in-home air circulation flow.
- 18"-22" stainless steel hinges allow for an outwards sash opening position of 35°, for maximized air flow.
- Multi-point locking system specifically designed to enhance security and create a tighter seal at multiple points, all conveniently controlled with the activation of a single handle.
- Standard 7/8" dual pane insulated glass unit with premium white super spacer designed to maximize in-home energy efficiency and reduce condensation.
- Optional 1 3/8" triple pane insulated glass unit combined with premium white super spacer for an optimal insulation and noise reduction.
- Interior Glazing system with a contoured profile, for a handcrafted appearance.
- Easily removable, overlapping spring-loaded internal screen.



Sash opens 35° for increased air circulation, even on rainy days



Multi-point locking system



Snap-in removable screen for easy cleaning



Fusion-Welded Frame and Sash for Added Strength and Prevention Of Air Infiltration



Integrated Snap-Down Nesting Handle



TRUTH Hardware Stainless Steel Hinges



SIZES AVAILABLE

Width: **16.5" to 55"**
Height: **20" to 56"**



Weather Seal
Windows & Doors Inc.

Legacy Collection Casement Window

Casement windows provide an expansive, unobstructed view, allowing you to enjoy a panoramic sight from top to bottom and side to side. With an impressive opening angle of 93°, our casement windows are exceptionally easy to clean. Additionally, they enable precise control over the direction of fresh air flow into your home. The combination of our advanced 3 Seals locking system and meticulously designed multi-chambered structure ensures an unparalleled seal that is guaranteed to exceed your expectations.



7/8" or 1 3/8"
insulated thermal
dual-seal glass with
super spacer for
optimum efficiency

Snap-in
removable screen
for easy cleaning

Fusion-
welded
frame and
sash with a
shadow
groove
finish

Interior Heritage
glazing with modern
co-extruded seal
technology for classic
craftsmanship

Exterior
bevel to
enhance a
classic look

Multi-chambered
design with reinforced
screw chambers



Standard Glass
DOUBLE INSULATED GLASS
Overall Thickness 7/8"

Optional Glass
TRIPLE INSULATED GLASS
Overall Thickness 1 3/8"



Window features

- 3 ¼" vinyl frame and sash, which have fusion welded and shadow-grooved corners for a modern and clean appearance.
- Interior multi-chamber design which not only insulates but also strengthens the frame.
- Integrated self-drainage system.
- Precisely engineered internal frame screw chambers are intended for facilitating an optimal and accurate installation process.
- The frame features 2 white rubber seals, accompanied by an additional brush seal on the sash, all working together to maximize the insulation factor.
- Superior winding mechanism allows the window to open effortlessly for an ideal in-home air circulation flow.
- 14" stainless steel hinges allow the sash to pivot to a 93° open position, for an easy clean operation of the insulated glass unit, which now can be performed from the inside of your home.
- E-Gress hinges available upon request, to ensure a larger opening in case of an emergency evacuation of your home.
- Multi-point locking system specifically designed to enhance security and create a tighter seal at multiple points, all conveniently controlled with the activation of a single handle.
- Standard 7/8" dual pane insulated glass unit with premium white super spacer designed to maximize in-home energy efficiency and reduce condensation.
- Optional 1 3/8" triple pane insulated glass unit combined with premium white super spacer for an optimal insulation and noise reduction.
- Interior Glazing system with a contoured profile, for a handcrafted appearance.
- Easily removable, overlapping spring-loaded internal screen.



Stainless Steel Multi-Point Locking System



Snap-in removable screen for easy cleaning



Fusion-Welded Frame and Sash for Added Strength and Prevention Of Air Infiltration



TRUTH Hardware Stainless Steel Hinges



Operator allows sash to open for easy cleaning



Integrated Snap-Down Nesting Handle



SIZES AVAILABLE

Width: **16.5" to 34"**
Height: **18" to 72"**

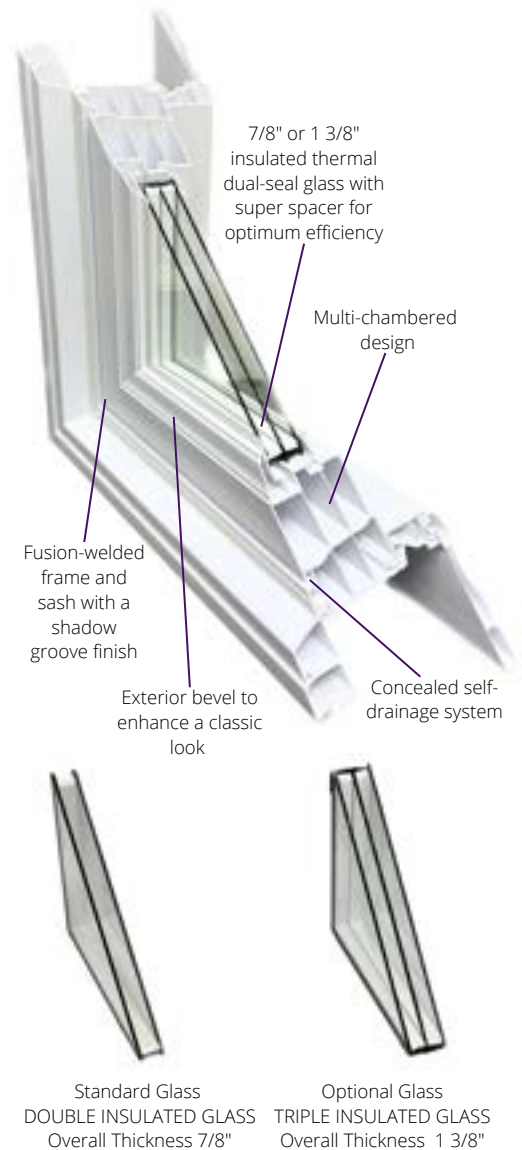


Legacy Collection

Fixed Casement Window

Our fixed casement windows bring a sense of inspiration and elegance to any home, creating a stunning expanse of unobstructed glass that adds a higher level of architectural sophistication. These windows are specifically designed to provide structural support for larger openings while offering a contemporary appearance.

The timeless design of the Legacy frame perfectly complements our casement and awning windows, ensuring a cohesive and visually appealing look for your home. This consistent aesthetic not only enhances the overall attractiveness of your property but also serves as a practical and energy-efficient investment, helping you save on energy costs in the long run.



Window features

- Designed to match a legacy casement unit, as it shares the same appearance.
- 3 ¼" vinyl frame, with fusion welded and shadow-grooved corners for a modern appearance and a clean look.
- Interior multi-chamber design which not only insulates but also strengthens the frame.
- Precisely engineered internal frame screw chambers are intended for facilitating an optimal and accurate installation process.
- Integrated self-drainage system.
- Standard 7/8" dual pane insulated glass unit with premium white super spacer designed to maximize in-home energy efficiency and reduce condensation.
- Optional 1 3/8" triple pane insulated glass unit combined with premium white super spacer for an optimal insulation and noise reduction.
- Interior Glazing system with a contoured profile, for a handcrafted appearance.



Fusion-Welded Frame for Added Strength and Prevention Of Air Infiltration.



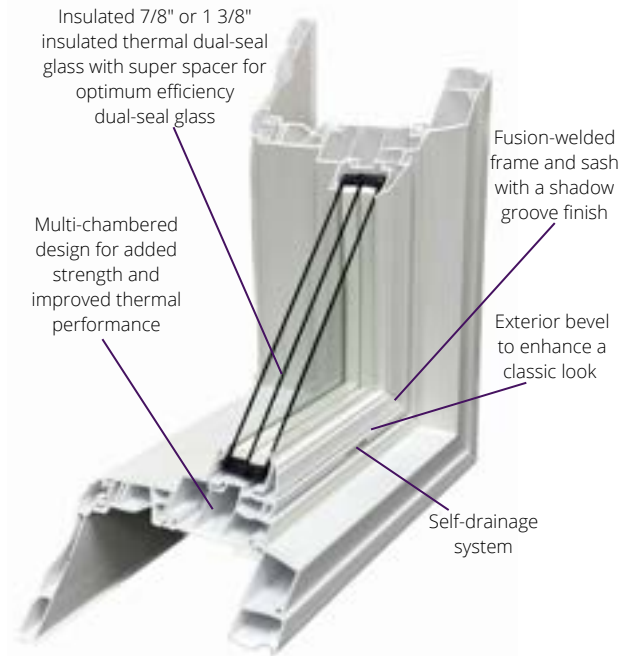
SIZES AVAILABLE

Width: **16.5" to 80"**
Height: **16.5" to 80"**



Legacy Collection Picture Window

A Picture Window, often known as a "Slim Profile," is a non-operable window that primarily serves the purpose of allowing natural light to enter the room. It is designed and constructed using the single slider profile, resulting in a similar appearance to single slider and single hung windows both internally and externally. As a result, it is often suggested to be used in combination with single hung or single slider windows when ventilation is required. In addition to its standalone use, Picture Windows can also function as transom fixed units. These windows are utilized in situations where the primary objective is to maximize light transmission and visibility, without the need for ventilation.



Standard Glass
DOUBLE INSULATED GLASS
Overall Thickness 7/8"

Optional Glass
TRIPLE INSULATED GLASS
Overall Thickness 1 3/8"



Window features

- Often also referred to as a slim fix, a picture window, may be combined with any window from our slider or casement family in order to allow for a maximum amount of sunlight to enter into your home.
- 3 1/4" vinyl frame, with fusion welded and shadow-grooved corners for a modern appearance and a clean look.
- Interior multi-chamber design which not only insulates but also strengthens the frame.
- Precisely engineered internal frame screw chambers are intended for facilitating an optimal and accurate installation process.
- Integrated self-drainage system.
- Standard 7/8" dual pane insulated glass unit with premium white super spacer designed to maximize in-home energy efficiency and reduce condensation.
- Optional 1 3/8" triple pane insulated glass unit combined with premium white super spacer for an optimal insulation and noise reduction.
- Interior Glazing system with a flat profile, for a handcrafted appearance.



Fusion-Welded Frame for Added Strength and Prevention Of Air Infiltration.



SIZES AVAILABLE

Width: **16.5" to 80"**
Height: **16.5" to 80"**

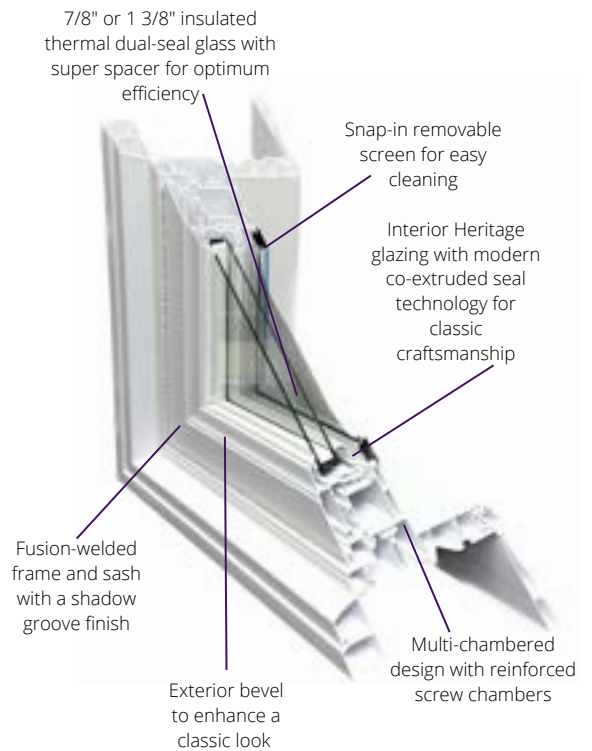


Weather Seal
Windows & Doors Inc.

Legacy Collection

Awning Window

Awning windows are designed to open outward from the bottom, enabling fresh air from outside to circulate freely within your home, effectively ventilating the space. Not only do awning windows offer a gorgeous, unobstructed view, but they also serve as a unique protective shield against the elements. To ensure the tightest seal possible, our legacy awning windows feature our advanced 3 seal system, a multipoint locking system, and a multi-chambered design. This combination of innovative features guarantees a secure and airtight seal, providing you with peace of mind and optimal energy efficiency.



Standard Glass
DOUBLE INSULATED GLASS
Overall Thickness 7/8"



Optional Glass
TRIPLE INSULATED GLASS
Overall Thickness 1 3/8"



Window features

- 3 1/4" vinyl frame and sash, which have fusion welded and shadow-grooved corners for a modern appearance.
- Interior multi-chamber design which not only insulates but also strengthens the frame.
- Integrated self-drainage system.
- Precisely engineered internal frame screw chambers are intended for facilitating an optimal and accurate installation process.
- The frame features 2 white rubber seals, accompanied by an additional brush seal on the sash, all working together to maximize the insulation factor.
- Superior winding mechanism allows the window to open effortlessly for an ideal in-home air circulation flow.
- 18"-22" stainless steel hinges allow for an outwards sash opening position of 35°, for maximized air flow.
- Multi-point locking system specifically designed to enhance security and create a tighter seal at multiple points, all conveniently controlled with the activation of a single handle.
- Standard 7/8" dual pane insulated glass unit with premium white super spacer designed to maximize in-home energy efficiency and reduce condensation.
- Optional 1 3/8" triple pane insulated glass unit combined with premium white super spacer for an optimal insulation and noise reduction.
- Interior Glazing system with a contoured profile, for a handcrafted appearance.
- Easily removable, overlapping spring-loaded internal screen.



Sash opens 35° for increased air circulation, even on rainy days



Multi-point locking system



Snap-in removable screen for easy cleaning



Fusion-Welded Frame and Sash for Added Strength and Prevention Of Air Infiltration.



Integrated Snap-Down Nesting Handle
TRUTH Hardware
Stainless Steel Hinges



TRUTH Hardware
Stainless Steel Hinges



SIZES AVAILABLE

Width: **16.5" to 55"**
Height: **20" to 56"**



Weather Seal
Windows & Doors Inc.

Single Slider

Single slider windows have one sash that slides horizontally and one that is stationary. The sliding sash can be operated to glide horizontally, while the stationary part remains fixed in place. One notable feature of single slider windows is that the operative sash can tilt inward, facilitating convenient and safe cleaning from inside the home.

This inward tilt feature ensures windows' cleanliness without the need for external access. Additionally, single slider windows provide effective ventilation without obstructing the exterior appearance of your home, preserving its aesthetic appeal.



Standard Glass
DOUBLE INSULATED GLASS
Overall Thickness 7/8"



Optional Glass
TRIPLE INSULATED GLASS
Overall Thickness 7/8"



Window features

- The single slider tilt unit may be combined with the picture window as it shares the same platform as well as interior and exterior appearance.
- 3 ¼" vinyl frame, with fusion welded and shadow-grooved corners for a modern appearance and a clean look.
- Tilt in sash and lift-out option for an easy clean from the inside of your home.
- Interior multi-chamber design which not only insulates but also strengthens the frame.
- Precisely engineered internal frame screw chambers are intended for facilitating an optimal and accurate installation process.
- Integrated self-drainage system.
- Triple weather-stripping sealing system located on the sash for maximum air and water tightness.
- Internal glazing system with co-extruded flexible seal as well as glazing tape on sash to eliminate leaks.
- Heavy duty cam-lock with a two-step locking system for increased security.
- Optional internal night lock system.
- Removable spring-loaded screen.
- Standard 7/8" dual pane insulated glass unit with premium white super spacer designed to maximize in-home energy efficiency and reduce condensation.
- Optional 7/8" triple pane insulated glass unit combined with premium white super spacer for an optimal insulation and noise reduction.
- Interior Glazing system with a flat profile, for a handcrafted appearance.



Night Lock



2 Step Locking System
for Increased Security



Snap-in removable
screen for easy cleaning



Glazing Stop
with Integrated
Pull Rail System



SIZES AVAILABLE

Width: **20" to 60"**
Height: **16.5" to 45"**



Weather Seal
Windows & Doors Inc.

End Vent Slider

End vent slider windows are designed with two sliding sashes and a fixed part. Both sliding sashes can be moved horizontally, while the stationary part remains fixed.



One notable advantage of end vent slider windows is that the operative sashes have the ability to tilt inward, providing a safe and convenient option for cleaning the windows from the inside of your home. These windows are constructed using the single slider profile, which allows for effective ventilation without compromising the exterior appearance of your home. With the end vent slider windows, you can enjoy fresh air circulation while maintaining a clean and uncluttered look on the face of your home.



Standard Glass
DOUBLE INSULATED GLASS
Overall Thickness 7/8"



Optional Glass
TRIPLE INSULATED GLASS
Overall Thickness 7/8"

Window features

- The end vent slider tilt unit may be combined with the picture window as it shares the same platform as well as interior and exterior appearance.
- 3 ¼" vinyl frame, with fusion welded and shadow-grooved corners for a modern appearance and a clean look.
- Both sashes have the tilt in option for an easy clean from the inside of your home.
- Interior multi-chamber design which not only insulates but also strengthens the frame.
- Precisely engineered internal frame screw chambers are intended for facilitating an optimal and accurate installation process.
- Integrated self-drainage system.
- Triple weather-stripping sealing system located on the sash for maximum air and water tightness.
- Internal glazing system with co-extruded flexible seal as well as glazing tape on sash to eliminate leaks.
- Heavy duty cam-lock with a two-step locking system for increased security.
- Optional internal night lock system.
- Dual removable spring-loaded screens.
- Standard 7/8" dual pane insulated glass unit with premium white super spacer designed to maximize in-home energy efficiency and reduce condensation.
- Optional 7/8" triple pane insulated glass unit combined with premium white super spacer for an optimal insulation and noise reduction.
- Interior Glazing system with a flat profile, as well as an integrated pull rail system for a handcrafted appearance.



Night Lock



2 Step Locking System
for Increased Security



Snap-in removable
screen for easy cleaning



Glazing Stop
with Integrated
Pull Rail System



SIZES AVAILABLE

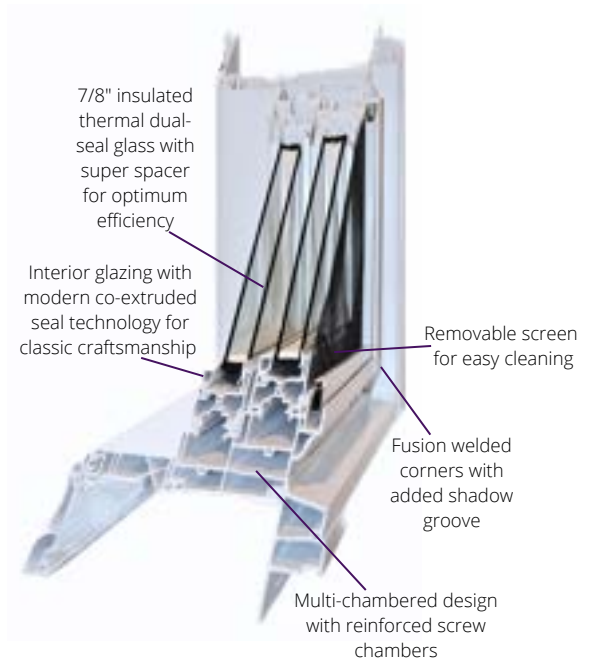
Width: **40" to 90"**
Height: **16.5" to 45"**



Weather Seal
Windows & Doors Inc.

Double Slider

Double slider windows consist of two sashes that slide horizontally. Both sashes tilt inward to allow for safe and easy cleaning from inside your home. Enjoy the ease of opening your sliding window. Double slider windows are designed with two sashes that slide horizontally. Both sashes have the capability to tilt inward, enabling safe and easy cleaning from the inside of your home. This convenient feature allows you to maintain the cleanliness of your windows without the need for external access or complicated maneuvers. In addition to the ease of cleaning, double slider windows provide effortless operation when it comes to opening and closing. You can enjoy the convenience of smoothly sliding the sashes to control the ventilation and airflow in your space. Whether you want to let in a gentle breeze or fully open the window, the sliding mechanism ensures easy and efficient operation.



Standard Glass
DOUBLE INSULATED GLASS
Overall Thickness 7/8"

Optional Glass
TRIPLE INSULATED GLASS
Overall Thickness 7/8"



Window features

- Both sashes are designed with the tilt in option in mind, for an effortless clean from the inside of your home.
- 3 ¼" vinyl frame, with fusion welded and shadow-grooved corners for a modern appearance and a clean look.
- Internal multi chamber design which not only insulates but also strengthens the frame.
- Precisely engineered internal frame screw chambers are intended for facilitating an optimal and accurate installation process.
- Integrated self-drainage system.
- Triple weather-stripping sealing system located on the sash for maximum air and water tightness.
- Internal glazing system with co-extruded flexible seal as well as glazing tape on sash to eliminate leaks.
- Heavy duty cam-lock with a two-step locking system for increased security.
- Optional internal night lock system.
- Removable spring-loaded screen.
- Standard 7/8" dual pane insulated glass unit with premium white super spacer designed to maximize in-home energy efficiency and reduce condensation.
- Optional 7/8" triple pane insulated glass unit combined with premium white super spacer for an optimal insulation and noise reduction.
- Interior Glazing system with a flat profile as well as an integrated pull rail system, for a handcrafted appearance.



Night Lock



2 Step Locking System
for Increased Security



Snap-in removable
screen for easy cleaning



Glazing Stop
with Integrated
Pull Rail System



SIZES AVAILABLE

Width: **20" to 60"**
Height: **16.5" to 45"**



Weather Seal
Windows & Doors Inc.

Single Hung

Single hung windows feature one sash that slides vertically from the bottom, while the top sash remains stationary. The operative sash can be tilted inward, offering a convenient and secure method for cleaning the windows from inside your home. This inward tilt feature allows you to maintain the cleanliness of your windows without the need for external access or complicated procedures.

Single hung windows not only provide practical functionality but also add an elegant touch to your home. Their classic design and timeless appeal make them a stylish addition that complements the overall aesthetic of your property. With their versatile combination of functionality and beauty, single hung windows are an excellent choice for enhancing the visual appeal and functionality of your home.



Standard Glass
DOUBLE INSULATED GLASS
Overall Thickness 7/8"

Optional Glass
TRIPLE INSULATED GLASS
Overall Thickness 7/8"



Window features

- The single hung tilt unit may be combined with the picture window as it shares the same platform as well as interior and exterior appearance.
- 3 1/4" vinyl frame, with fusion welded and shadow-grooved corners for a modern appearance and a clean look.
- Tilt in sash option for an easy clean from the inside of your home.
- Interior multi-chamber design which not only insulates but also strengthens the frame.
- Precisely engineered internal frame screw chambers are intended for facilitating an optimal and accurate installation process.
- Integrated self-drainage system.
- Triple weather-stripping sealing system located on the sash for maximum air and water tightness.
- Internal glazing system with co-extruded flexible seal as well as glazing tape on sash to eliminate leaks.
- Heavy duty cam-lock with a two-step locking system for increased security.
- Optional internal night lock system.
- Removable spring-loaded screen.
- Standard 7/8" dual pane insulated glass unit with premium white super spacer designed to maximize in-home energy efficiency and reduce condensation.
- Optional 7/8" triple pane insulated glass unit c up once again with premium white super spacer for an optimal insulation and noise reduction.
- Interior Glazing system with a flat profile, for a handcrafted appearance.



Night Lock



2 Step Locking System for Increased Security



Snap-in removable screen for easy cleaning



Glazing Stop with Integrated Pull Rail System



SIZES AVAILABLE

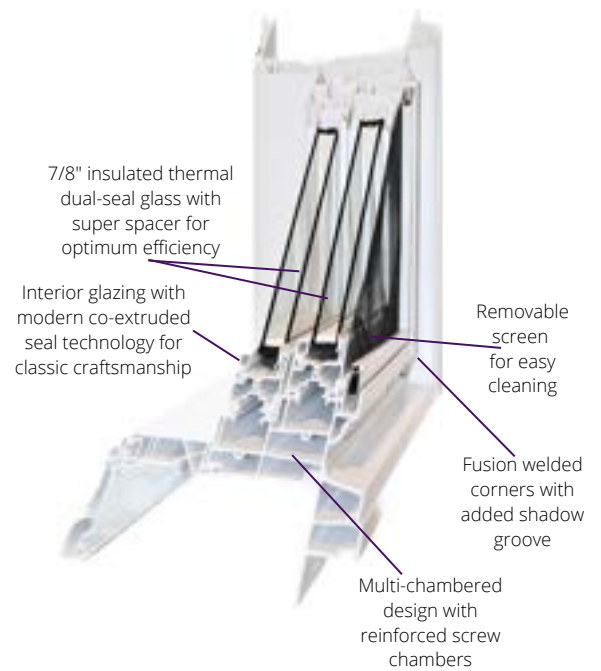
Width: **20" to 42"**
Height: **20" to 72"**



Weather Seal
Windows & Doors Inc.

Double Hung

Double hung windows are designed with two sashes that can be moved vertically. Both sashes have the ability to tilt inward, providing a safe and convenient option for cleaning the windows from inside your home. This feature allows you to easily access and clean both the interior and exterior surfaces of the windows, ensuring they remain well-maintained. In addition to their practicality, double hung windows offer an elegant and timeless aesthetic that enhances both the interior and exterior of your home. The balanced design and versatility of double hung windows make them a visually appealing choice that complements various architectural styles. Whether you want to improve the interior ambiance or enhance the curb appeal, double hung windows provide an elegant and attractive solution for your home.



Standard Glass
DOUBLE INSULATED GLASS
Overall Thickness 7/8"

Optional Glass
TRIPLE INSULATED GLASS
Overall Thickness 7/8"



Window features

- 3 1/4" vinyl frame, with fusion welded and shadow grooved corners for a modern appearance and a clean look.
- Both sashes contain the tilt in option, for an easy clean from the inside of your home.
- Internal multi chamber design which not only insulates but also strengthens the frame.
- Precisely engineered internal frame screw chambers are intended for facilitating an optimal and accurate installation process.
- Integrated self-drainage system.
- Triple weather-stripping sealing system located on the sash for maximum air and water tightness.
- Internal glazing system with co-extruded flexible seal as well as glazing tape on sash to eliminate leaks.
- Heavy duty cam-lock with a two-step locking system for increased security.
- Stainless steel multi coil balance system.
- Optional internal night lock system.
- Removable spring-loaded screen.
- Standard 7/8" dual pane insulated glass unit with premium white super spacer designed to maximize in-home energy efficiency and reduce condensation.
- Optional 7/8" triple pane insulated glass unit combined with premium white super spacer for an optimal insulation and noise reduction.
- Interior Glazing system with a flat profile as well as an integrated pull rail system, for a handcrafted appearance.



Night Lock



2 Step Locking System for Increased Security



Coils and shoe assembly



Stainless Steel Coils



Snap-in removable screen for easy cleaning



Glazing Stop with Integrated Pull Rail System



SIZES AVAILABLE

Width: **20" to 42"**
Height: **20" to 72"**



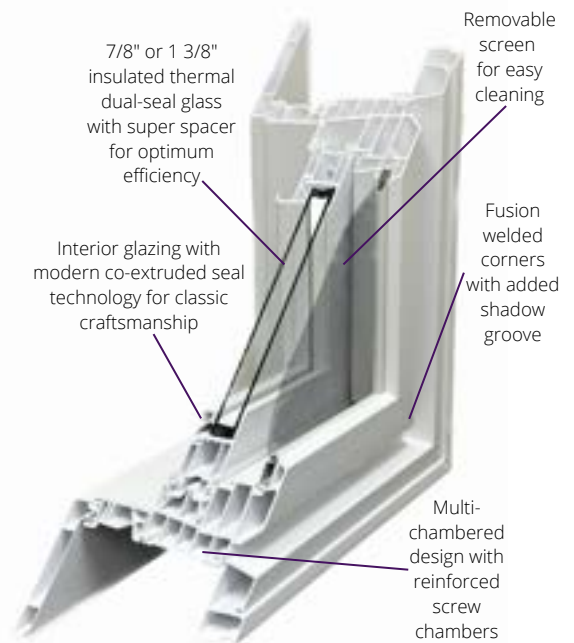
Weather Seal
Windows & Doors Inc.

Lift out Slider

Lift Out Single Slider windows feature a single sash that moves horizontally from side to side. They offer customers the convenience of opening and lifting the sash inwards towards themselves, allowing for easy cleaning and maintenance. This practical feature eliminates the need for complicated external access or specialized tools when cleaning the windows.

The single sliding sash of Lift Out Slider windows provides a versatile range of ventilation options, allowing for controlled air circulation. This flexibility in airflow management makes them ideal for oversized openings where traditional tilt sliders may not be suitable or feasible.

With their user-friendly operation and ability to accommodate large openings, Lift Out Single Slider windows offer a practical solution for customers seeking ease of maintenance, customized ventilation, and an attractive window option for their homes.



Window features

- The heavy-duty single slider lift-out unit may be combined with the quad fix casement window as it shares the same interior and exterior appearance.
- 3 1/4" vinyl frame, with fusion welded and shadow grooved corners for a modern appearance and a clean look.
- Lift out sash.
- Internal multi chamber design which not only insulates but also strengthens the frame.
- Precisely engineered internal frame screw chambers are intended for facilitating an optimal and accurate installation process.
- Integrated self-drainage system.
- Triple weather-stripping sealing system located on the sash for maximum air and water tightness.
- Interior glazing system with co-extruded flexible seal as well as glazing tape on sash to eliminate leaks.
- Heavy duty cam-lock with a two-step locking system for increased security.
- Heavy duty wheels for an easy sash sliding operation process.
- Optional internal night lock system.
- Removable spring-loaded screen.
- Standard 7/8" dual pane insulated glass unit with premium white super spacer designed to maximize in-home energy efficiency and reduce condensation.
- Highly sought after and rarely offered by other manufacturers 1 3/8" triple pane insulated glass unit.
- Premium white super spacer for an optimal insulation and noise reduction.
- Interior Glazing system with a flat profile as well as a sash integrated pull rail, for a handcrafted appearance.



3 1/4" Fusion welded frame and sash



NEW automatic locking system. Never forget to lock your window again!



Snap-in removable screen for easy cleaning



SIZES AVAILABLE

Width: **30" to 72"**
Height: **20" to 60"**



Weather Seal
Windows & Doors Inc.

Hopper Window

A Hopper window is designed to open at the bottom and swing inward into the room. It is commonly used in situations where maximum ventilation is desired, particularly in areas with limited opening space. Due to its unique opening mechanism, a Hopper window can efficiently draw fresh air into the room.



Additionally, Hopper windows can serve as egress windows, provided they meet the requirements set by local building codes. The ability to swing open freely can provide a safe exit in case of emergencies, ensuring compliance with regulations and enhancing the overall safety of the space.

Overall, Hopper windows offer a practical solution for maximizing ventilation in constrained areas while also serving as a viable egress option when meeting the necessary building code standards.



Window features

- 3 1/4" vinyl frame, with fusion welded and shadow grooved corners for a modern appearance and a clean look.
- Triple weather-stripped sash with one bubble seal on the exterior of the sash and two brush seals on the interior of the sash in order to ensure best airtightness possible.
- Quick Release Hinge System allows for complete removal of the sash to maximize opening.
- Integrated metal reinforcement bars at both hinge securing positions for long lasting hinge operation.
- Removable spring-loaded screen.
- Standard 7/8" dual pane insulated glass unit with premium white super spacer designed to maximize in-home energy efficiency and reduce condensation.
- Optional 7/8" triple pane insulated glass unit combined with premium white super spacer for an optimal insulation and noise reduction.
- Interior Glazing system with a straight profile and a white co-extruded seal, for a handcrafted appearance.
- Dual handle locking system provides increased security as well as additional air tightness.



Sash has 30° degree tilt for venting and 90° degree tilt for maximum opening



Double handle locking system provides increased security as well as airtightness



Snap-in removable screen for easy cleaning



SIZES AVAILABLE

Width: **16" to 50"**
Height: **12" to 36"**



Bay Windows

A bay window is a term used to describe any window construction that protrudes from the main structure of a building. A Weather Seal bay window is specifically designed to add spaciousness and architectural character to a room, while also providing practical functionality.

Weather Seal bay window can be customized with various window styles, but it is commonly built with a fixed unit in the middle and casement or hung windows on the sides. This combination offers a clear and unobstructed view while allowing for maximum ventilation when desired.

Bay windows typically consist of a "head" (the top portion) and a "seat" (the bottom portion). These components are often made of 3/4" plywood in a rough form, which can be stained or painted after the installation is complete. The bay window is engineered to project outward at angles of 30° or 45°, creating a cozy and inviting atmosphere.

When considering Weather Seal bay window, you can consult our representative about available color and finishing options to suit your preferences and complement your home's aesthetic.



Bay window is designed to extend outward from a wall at angles of 30° or 45°, purposefully engineered to create a cozy ambiance while offering an expanded perspective of the garden or the street outside.



Standard Glass
DOUBLE INSULATED GLASS Optional Glass
TRIPLE INSULATED GLASS



Weather Seal
Windows & Doors Inc.



SIZES AVAILABLE

Width: **60" to 120"**
Height: **30" to 72"**

Bow Windows

The bow window is another type of window that can be customized with various available window styles. It typically consists of three or more fixed units in the center, with casement or hung windows on the sides. This combination of window units creates a graceful and curved appearance.

Like the bay window, the bow window is constructed with a "head" (the top portion) and a "seat" (the bottom portion).

These components are commonly made of 3/4" plywood. After the installation is completed, the plywood can be stained or painted to match your desired color or finish.

The bow window not only adds aesthetic appeal to a room but also enhances the sense of space and architectural charm. Its curved design creates a unique focal point while allowing ample natural light to enter the space.



Bow window is designed to extend outward from a wall at angles of 10° or 15°, purposefully engineered to create a cozy ambiance while offering an expanded perspective of the garden or the street outside.



Standard Glass
DOUBLE INSULATED GLASS



Optional Glass
TRIPLE INSULATED GLASS



SIZES AVAILABLE

Width: **60" to 120"**
Height: **30" to 72"**



Weather Seal
Windows & Doors Inc.

Exterior Options

Brickmoulds



1/8" Brickmould



3/8" Bull Nose



3/4" Brickmould



1 1/4" Brickmould
with Nailing Fin



1 1/4" Brickmould



1 1/2" Brickmould



2" Brickmould



1 1/4" Brickmould
with 2" Sloped Sill



1 1/2" Brickmould
with 2" Sloped Sill



2" Brickmould
with 2" Sloped Sill



Interior Options

Wood Jamb Extensions



Available sizes:
1 3/8" 1 7/8" 2 3/8" 3 3/8" 4 3/8"
Custom Wood Jamb with DWR

Vinyl Jamb Extensions



Available sizes:
1 3/8" 1 7/8" 2 3/8" 3 3/8" 4 3/8"
Custom Solid Vinyl Jamb

Casing & Rosettes



2 3/8" Colonial Casing
with Round Rosette



3 3/8" Colonial Casing
with Round Rosette



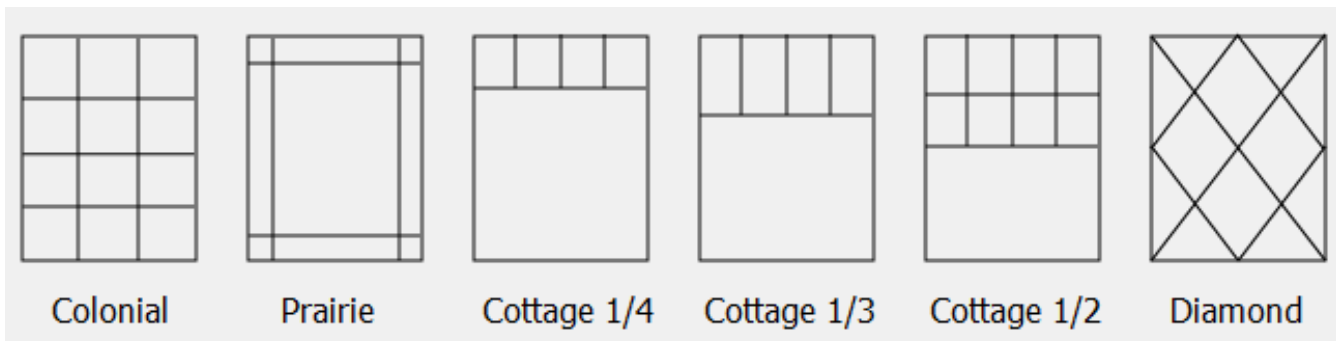
3 3/8" Colonial Casing
with Straight Rosette



3 3/8" Flat Casing
with Flat Rosette

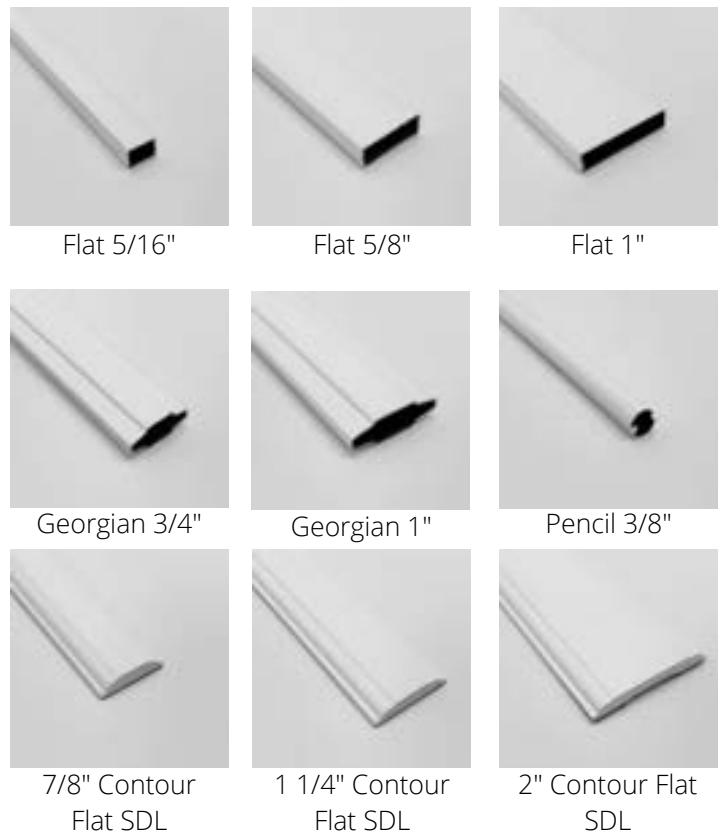
Window Grills

With Weather Seal's customizable window grills, you can effortlessly enhance the appearance of your windows. Whether your home is old or new, adding window grills not only enhances its aesthetic appeal but also adds a touch of timeless charm. If you desire a more classic look, Weather Seal's window grills are the perfect solution as they are being offered in a large variety of styles and colors.



Window Grill Styles

Grills are strategically placed between the panes of our sealed units, serving both functional and aesthetic purposes while ensuring easy cleaning. We offer a diverse range of styles to cater to your preferences, including Colonial, Georgian, or Pencil grills, available in various colors and sizes. For a visually stunning and authentic multi-panel glass appearance, our simulated divide-lite (SDL) grills are carefully positioned on the exterior of the glass panes. These grills are meticulously crafted to add a touch of elegance to your windows. They are meant to create a true multi panel glass effect with the SDL grills being set on both, the inside as well as the outside of the window.



Color Options

At Weather Seal, we understand the significance of your home's exterior appearance to you, and we prioritize it just as much. That's why we provide a diverse selection of finishes, allowing for customization options that perfectly complement your home's existing aesthetic.

Whether you are going for a more conservative, classic look to your home, or a more modern colorful creation, Weather Seal has the finish to bring your ideas to life. We are committed to ensuring your utmost satisfaction with the results.

Standard Color Options



White



Black



Sandalwood



Commercial Brown

Custom Color Options



Garden Patio Doors

Weather Seal garden doors are meticulously crafted using the same high grade materials that we use for our steel entrance doors, ensuring exceptional quality and durability.

Our garden patio doors can be seamlessly combined with side-lites or transoms, to allow for more light through. Garden patio doors offer the ideal balance between elegance and security for your home.

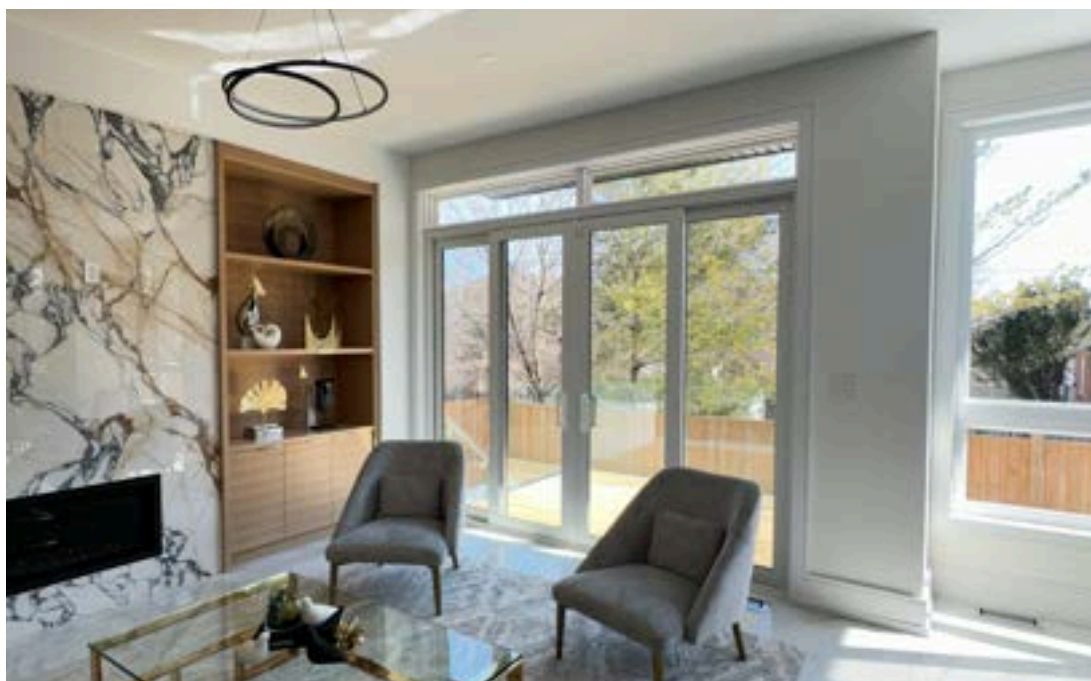
We offer an extensive range of finishes, glass options, anodized thresholds, industry leading ball-bearing hinges, empowering you to create the garden door of your dreams.



Sliding Patio Doors

Weather Seal takes great pride in offering the market's most reliable and versatile sliding patio door. The superior quality vinyl combined with leading edge technology, decorative features, and heavy-duty hardware results in an excellent finished product.

With our vinyl thermal doors, you can expect years of hassle-free operation and performance without the need for extensive maintenance. We are committed to delivering products that withstand the test of time and provide you with satisfaction.



Steel Entrance Doors

Weather Seal's steel entrance doors are strong and robust. They are meticulously designed to not only enhance the security of your home but also provide an exceptionally appealing look. Whether you prefer a more traditional or contemporary style, rest assured that we have the perfect door to meet your preferences with an extensive selection of over 500 glass insert options, allowing you to customize your door to perfection. Our inserts are available in a wide variety of colors, finishes and grill patterns.

At Weather Seal, we take pride in delivering entry doors that are tailored to fit your specific entrance opening. Each door is custom-made, ensuring a precise fit for your home. Furthermore, we back our products with an industry-leading warranty, giving you added peace of mind and confidence in your investment.



Weather Seal
Windows & Doors Inc.

Premium Fiberglass Entry Doors

Weather Seal is proud to offer a premium line of fiberglass entry doors systems. These high-quality door slabs are accompanied by matching durable fiberglass door-lite frames, ensuring a long-lasting solution for your entryway. One of the standout features of our fiberglass entry doors is the innovative "Weber Grain Technology", which enables us to achieve the most authentic wood replication available in the door industry today. With meticulous attention to detail, we strive to provide the beauty and charm of natural wood without compromising on the durability and low maintenance benefits of fiberglass. Experience the finest craftsmanship and attention to detail that sets our products apart from the rest.



A WINDOW FOR ALL SEASONS



On behalf of the entire team at Weather Seal Windows & Doors, we genuinely appreciate your trust and confidence in considering our products. Durability and efficiency make for the foundation of our products, and we strive to embody these qualities in everything we do. From the initial stages of production on our warehouse floor to the final day of installation in your home, our dedicated team is committed to serving you and ensuring your satisfaction, regardless of the season.



HEAD OFFICE

Weather Seal Windows & Doors
210 Bartor Rd
North York, Ontario,
Canada, M9M 2W6

Local: 416.739.9545
Toll Free: 1.888.959.3667
Fax: 416.739.9540

Email: info@weathersealwindows.com

- [weathersealwindows](#)
- [weathersealwindowsanddoors](#)
- [weatherseal.windows](#)
- [weathersealwindows](#)



WEATHERSEALWINDOWS

Authorized Dealership



www.weatherseal.ca